

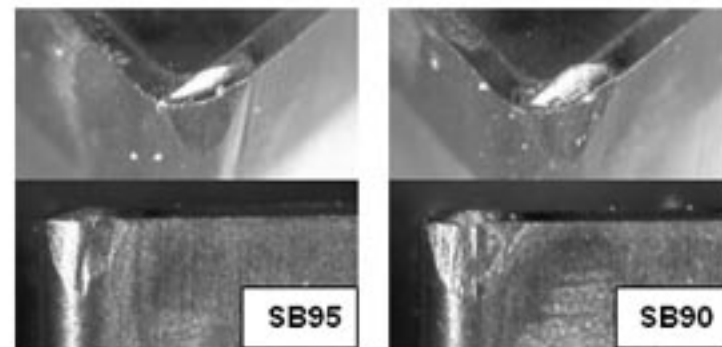
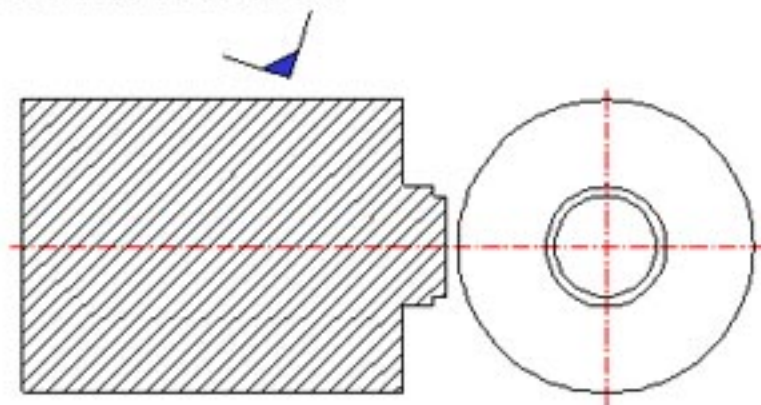
AMERICAN SUPERABRASIVES CORP.

59 Avenue at the Common Shrewsbury , NJ 07702

email.njabrasive@aol.com www.diamond-abrasives.com

TEL-732.389.8066 FAX 732.389.8069

SB95



Grade	IBON-SB95, SB90
Operation	Continuous Turning
Work material	Hard Cast Iron
Machining Parameter	Cutting speed = 500 m/min Depth of cut = 0.25 mm Feed rate = 0.1 mm/rev Coolant : Wet
Insert type	SNGN120404
Holder type	CSDNR2525-M12C

