

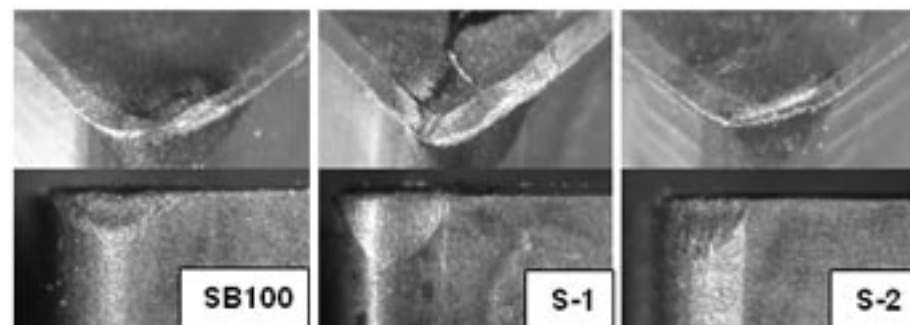
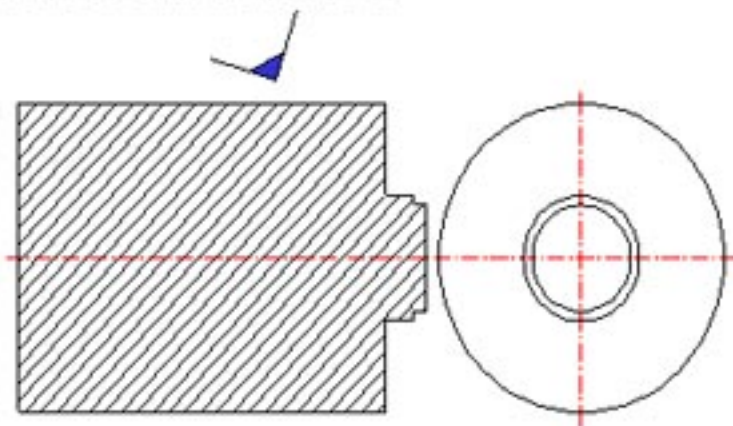
# AMERICAN SUPERABRASIVES CORP.

59 Avenue at the Common Shrewsbury , NJ 07702

[email.njabrasive@aol.com](mailto:email.njabrasive@aol.com) [www.diamond-abrasives.com](http://www.diamond-abrasives.com)

TEL-732.389.8066 FAX 732.389.8069

# SB100



<b>Grade</b>	IBON-SB100
<b>Operation</b>	Continuous Turning
<b>Work material</b>	Hard Cast Iron
<b>Machining Parameter</b>	Cutting speed = 200 m/min Depth of cut = 0.5 mm Feed rate = 0.2 mm/rev Coolant : wet
<b>Insert type</b>	SNGN090304
<b>Holder type</b>	CSDNN2525-M09C

